



- Unmanaged Industrial Ethernet Switch
- 5x 10/100BaseT(X) (RJ45)
- Supports IEEE 802.3/ 802.3u/ 802.3x
- 10/100M, Full/Half-Duplex, MDI/MDI-X auto-detection
- Redundant dual DC power inputs 9~36 VDC (< 3W)
- Operating temperature ranges from -40° ~ +85°C
- Aluminum alloy + sheet metal housing
- DIN-Rail or wall mounting ability

## NETLANCE ES-I05F2-MU

Industrial Ethernet Switch



### ETHERNET

Connector	RJ45
Ports	5
Standards	IEEE 802.3 10BASE-T IEEE 802.3u 100BASE-TX/ 100BASE-FX
Auto MDI/MDI-X	Yes

### POWER

Input Voltage	9 ~ 36 VDC
Input Current	0.30A
Power Consumption	< 3W Max
Connector	5.08mm 4-pin Terminal Block
Reverse Polarity Protection	Yes
Redundancy	Yes

### PHYSICAL CHARACTERISTICS

Housing	IP40 protection, Aluminum alloy + sheet metal housing
Dimension (W x H x D)	35.5mm x 120mm x 90mm
Weight	300g
Installation	DIN-Rail , Wall mount (optional kit)
Reset Button	No
Warranty	1 years

### ENVIRONMENTAL LIMITS

Operating Temperature	-40°C ~ 85°C ( -40° ~ 185°F )
Storage Temperature	-40°C ~ 85°C ( -40° ~ 185°F ) , 5 ~ 95% RH
MTBF (MIL-HDBK-217F)	97471
Ambient Relative Humidity	5~95%RH (Non-condensing)

### SARC ITALIA SRL

Strada Albareto, 503 - 41122 Modena - ITALY  
Tel. +39 059 8751076 Fax. +39 059 8751025



Website: [www.indatech.it](http://www.indatech.it)

Email: [info@indatech.it](mailto:info@indatech.it)

## CERTIFICATION

RoHS 2

REACH

EMI

EMC

EMS

Shock

Drop

Vibration

Protection

## STANDARD

Yes

Yes

CLASS A

Power surge protection  
IEC 61000-4-5 Level 4 (2KV/4KV) (8/20us)

Ethernet Port surge protection  
IEC 61000-4-5 Level 3 (2KV/4KV) (10/700us)

Anti-static  
IEC 61000-4-2 Level 4 (8KV/15KV)

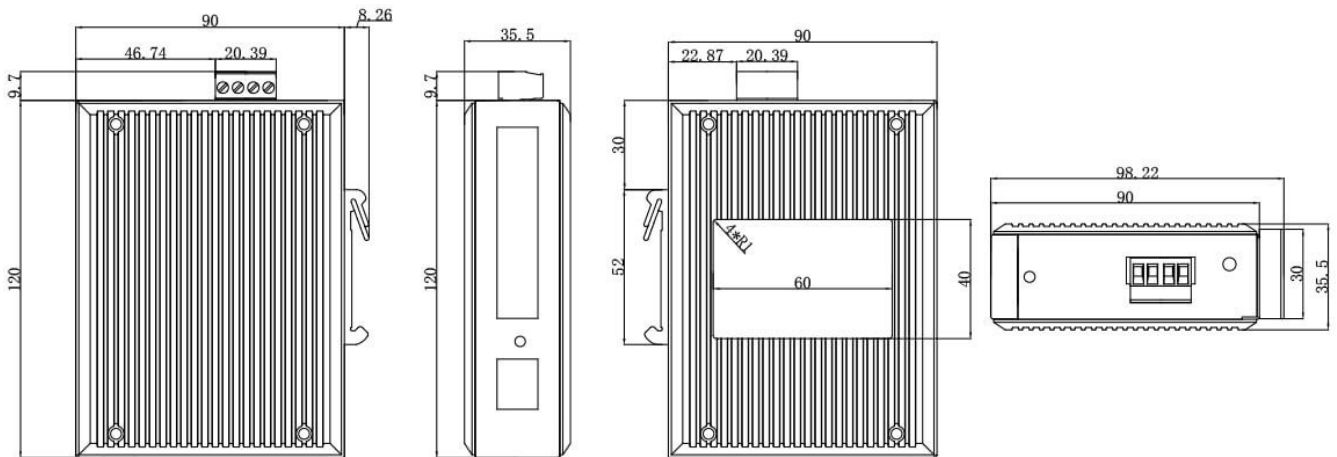
ESD Level 2, RS Level 2, EFT Level 2, Surge Level 2, CS Level 2, PFMF Level1, DIP.

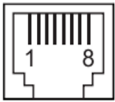
IEC 60068-2-27

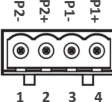
ISTA Test Procedure 2A

IEC 60068-2-64

IP40 protection, metal housing



RJ45								
	10/100BASE-T(X)							
Pin	1	2	3	4	5	6	7	8
Signal	Tx+	Tx-	Rx+			Rx-		

				
Power Pin	1	2	3	4
	P2-	P2+	P1-	P1+

ORDER CODE: **ES-I05F2-MU**  
 INDATECH NETLANCE - Unmanaged Industrial Ethernet Switch, 5x 10/100BaseT(X), Metal housing, IP40, Redundante 9~36VDC

**SARC ITALIA SRL**

Strada Albareto, 503 - 41122 Modena - ITALY

Tel. +39 059 8751076 Fax. +39 059 8751025



Website: [www.indatech.it](http://www.indatech.it)

Email: [info@indatech.it](mailto:info@indatech.it)